

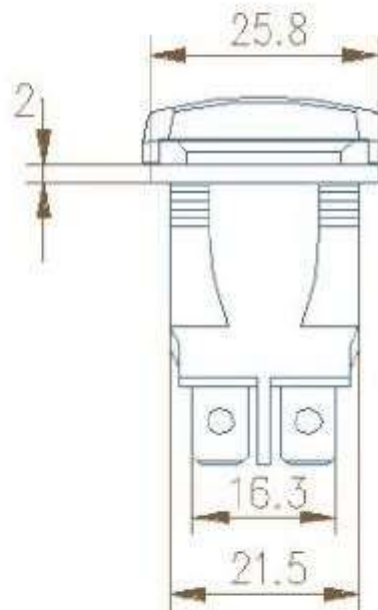
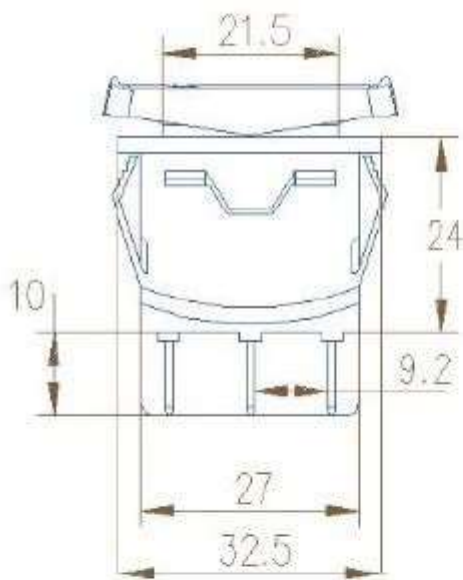
MIRS201-9bl/ss, MIRS201-9g/b, MIRS201-9g/g, MIRS201-9g/ss, MIRS201-9r/b, MIRS201-9r/g, MIRS201-9r/ss, MIRS201-9w/g, MIRS201-9y/b, MIRS201-9y/g



**ON-OFF  
Rocker Switch**

**Specifications:**

Contact Point	Rating	Life time
No Contact	6A/250VAC 10A/125VAC	≥ 10,000 cycles
Copper Contact	10A/250VAC 16A/125VAC	≥ 10,000 cycles
Silver Contact	15A/250VAC 20A/125VAC	≥ 20,000 cycles
Big silver contact	30A/250VAC	≥ 20,000 cycles
Operation Temperature	-25℃~+85℃	
Contact Resistance	≤ 50mΩ	
Insulation Resistance	≥100MΩ	
Dielectric Strength	>1500AC for 1 minute	



**Color**

Housing	Standard black or New material, yellow housing
Actuator	Black, silver, Blue, Golden
LED	Red/green/blue/yellow/white
	Without LED/ 12V/ 24V/ 110V/ 220V/ 380V

