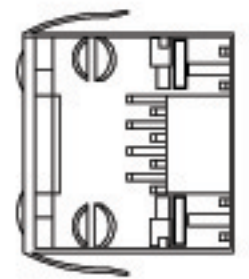
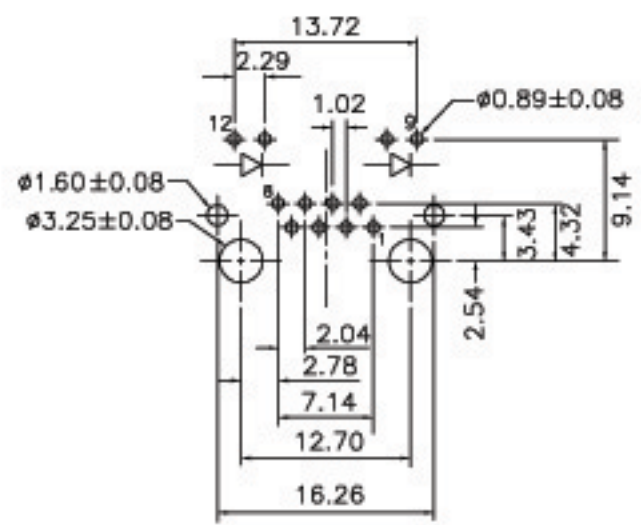
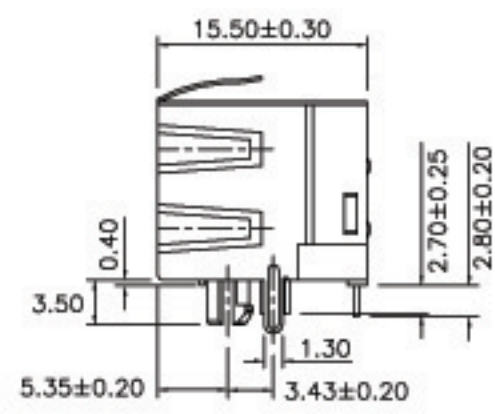
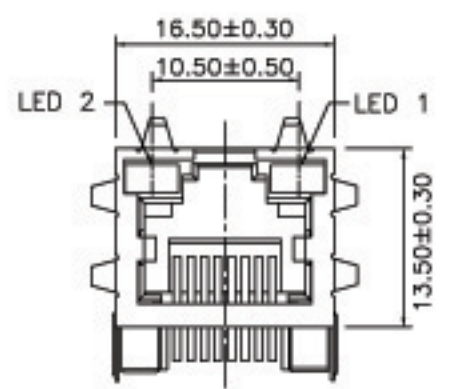


REV.	SPECIFICATION	ECN NO.	APPO.



**Material:**  
Housing: Thermoplastic Polyester Glass Filled UL94V-0.  
Contacts: Copper Alloy.  
Shell: Copper Alloy.

**Electrical Characteristics:**  
Current Rating: 1.5 AMP.  
Dielectric Withstanding Voltage: AC 1000V For 1 minute.  
Insulator Resistance: 500MΩ min.  
Contact Resistance: 20mΩ max.  
Operating Temperature: -40°C~+85°C.

**\*RoHS Compliant**

P.C.Board Layout

**8949-BL1**    **8**    **8**    **1**    **/06**    **S**    **1**    **A**    **B**    **A**  
Series    8:8 Position    8:8 Contacts    1:1 Port    06:6μ" Gold Plated    S: Shield    1:With Grounding    A:LED1:Green LED2:Yellow    B: Black    A:Tray Package

Tolerances	Drawn No.	8949D02133	Title:						
x = ±0.5	Projection		8949-L1 Series		P/N: 8949-BL1881/06S1ABA				
.x = ±0.35	Unit	mm	Scale	1:1	SHEET		1/1	Ver.No.	A2
.xx = ±0.25	Drawn By	Rikey 01/20'10	Modular Jack With LED						
			① 774						