

Precious metal-brush motors

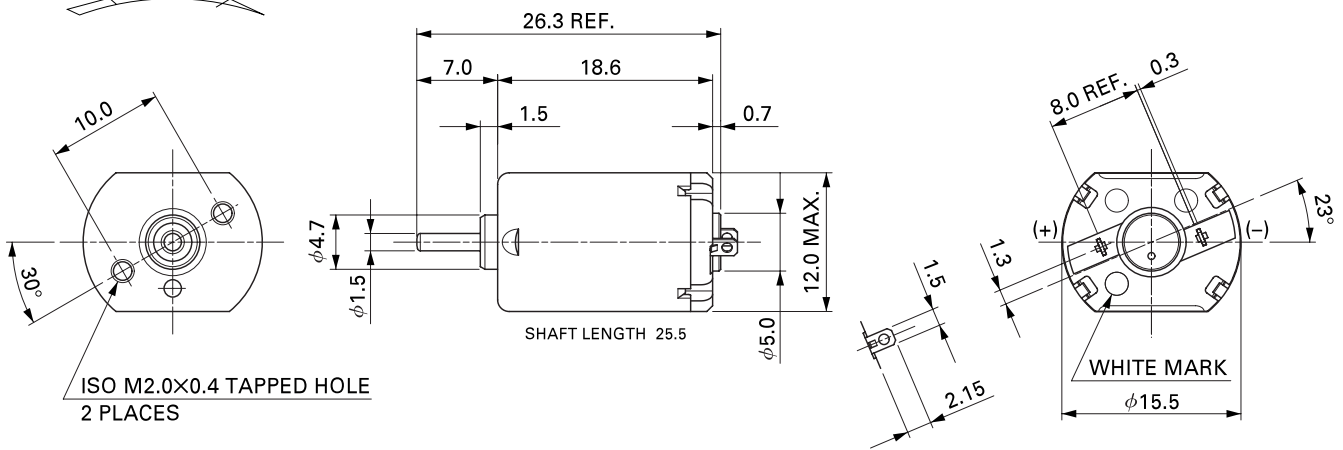
OUTPUT : 0.05W~2.2W (APPROX)

WEIGHT : 11g (APPROX)

Typical Applications Office Automation Equipment : CD/DVD-ROM Drive
 Audio and Visual Equipment : CD/MD Player / Car CD Player

MODEL	VOLTAGE		NO LOAD		AT MAXIMUM EFFICIENCY					STALL		
	OPERATING RANGE	NOMINAL	SPEED	CURRENT	SPEED	CURRENT	TORQUE		OUTPUT	TORQUE		CURRENT
			r/min	A	r/min	A	mN·m	g·cm	W	mN·m	g·cm	A
FF-030PK-09210	3~7	7V CONSTANT	14800	0.056	11500	0.20	0.56	5.7	0.67	2.50	25	0.68
FF-030PK-11160	2.0~5.5	5V CONSTANT	13800	0.066	10870	0.25	0.53	5.4	0.60	2.50	25	0.91

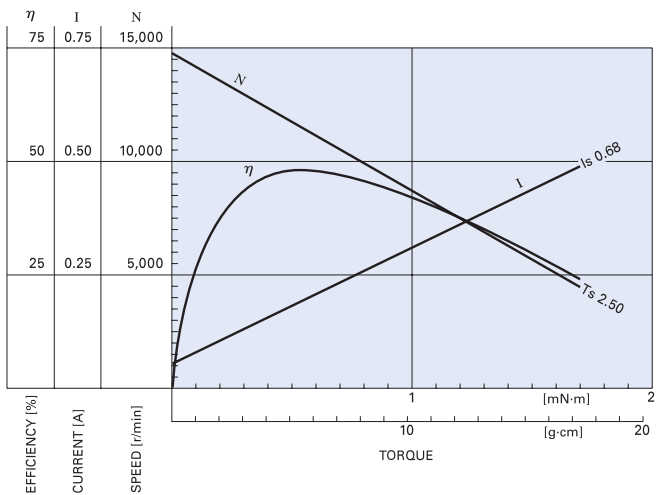
DIRECTION OF ROTATION



Usable machine screw length 1.5 max. from motor mounting surface.

UNIT: MILLIMETERS

FF-030PK-09210 7.0V



FF-030PK-11160 5.0V

